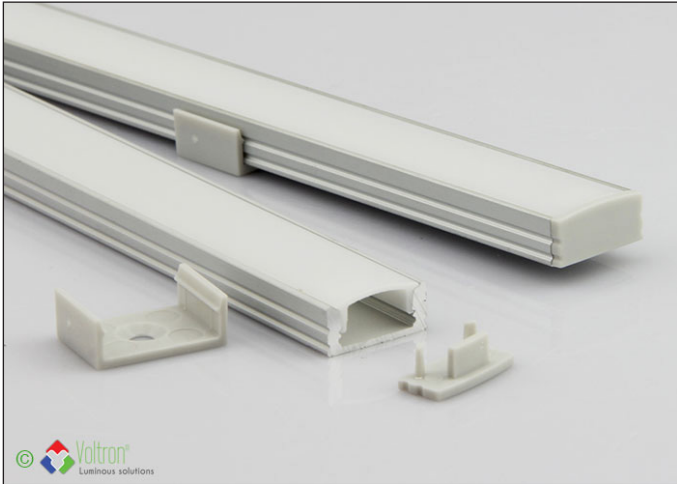
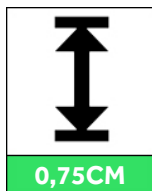
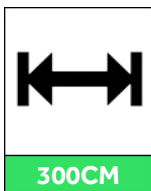
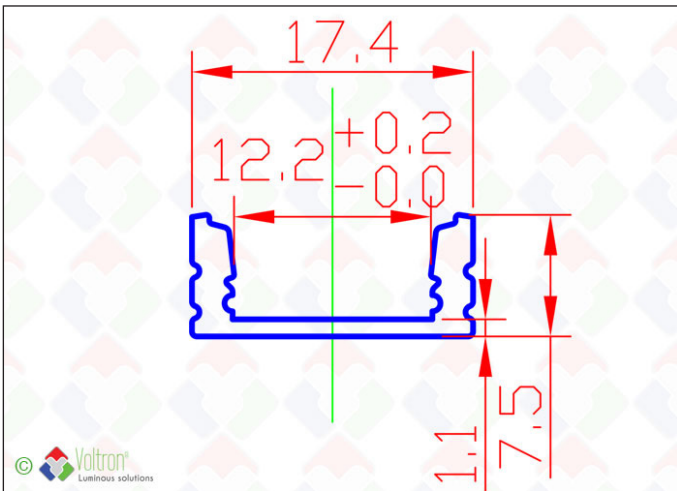


Led aluminum profiles



PF-7-Brut-MI

VOLTRON® single LED aluminum profiles 7mm. All profiles are anodised as standard and are always delivered as a set. 1 set = 1 aluminum profile, 1 opal cover UV-resistant, 1 bag of accessories (3 side covers on the left, 3 side covers on the right and 6 back clips for quick mounting). The cover is UV resistant and has a flammability factor of UL94V-2. Advice = use height 15mm (no visible LED dots). Type PF-7-BRUT (without edge) : H = 7,5mm - W= 17,4mm - L = 3000mm - ALU = 6063 T-5. Ideal for indirect lighting in furniture panels.



Technical data

| Productnumber | Barcode | Height | Length | Width |
|---------------|-----------------|---------|----------|------------|
| PF-7-Brut-MI | LH-961 | 0,75CM | 300CM | 1,74CM |
| Diameter | Finishing color | UL94 | Aluminum | Packed per |
| - | Anodized | UL94V-2 | 6063-T5 | 1 |
| Full package | | | | |
| 70 | | | | |

Specification text*

Aluminum LED profile of 3 meters in length, 1.74 cm wide and 0.75 cm high. Equipped with opal cover plate and supplied with a set of 3 left, 3 right end caps and 6 back clips to lock these profiles. Aluminum is anodized. The cover is UV resistant and has a flammability factor of UL94V-2.

* Available on the website

Areas of application

For use with LED strips / Mounting in walls and ceilings / Surface-mounted on ceiling / Surface-mounted on walls / Always degrease the profile before sticking the LED strips

Extra information

All information, specification texts, photos, technical drawings, connection diagrams, photometric .LDT files can be found via this clickable direct link: https://www.voltron-lighting.com/product/EN/46/961/Led_aluminum_profiles--PF-7-Brut-MI or can be requested through your contact person.

Direct link website



Product barcode



The Voltron® name and logo as well as product names are part of the Voltron® Lighting Group and are protected by national and international laws.

The usage rights, reproduction rights as well as the intellectual rights are the exclusive property of the Voltron® Lighting Group.

Voltron® pays a lot of attention to the correctness and completeness of the information. However, it cannot be held responsible for any inaccuracy and / or omission. All images and texts are protected under copyright law and may not be used or multiplied without express permission.